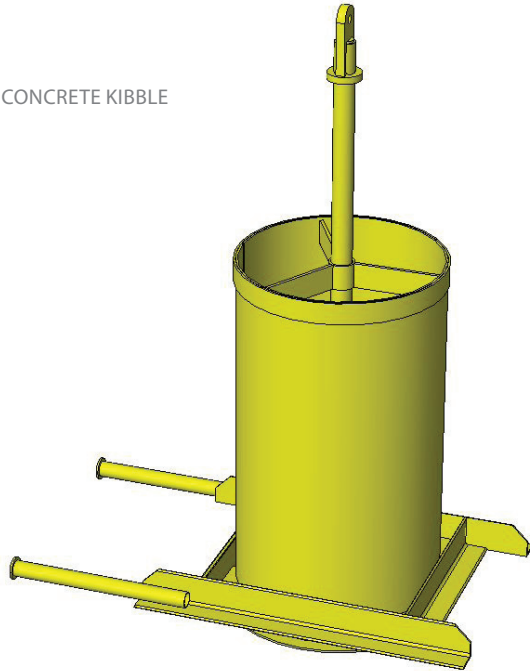
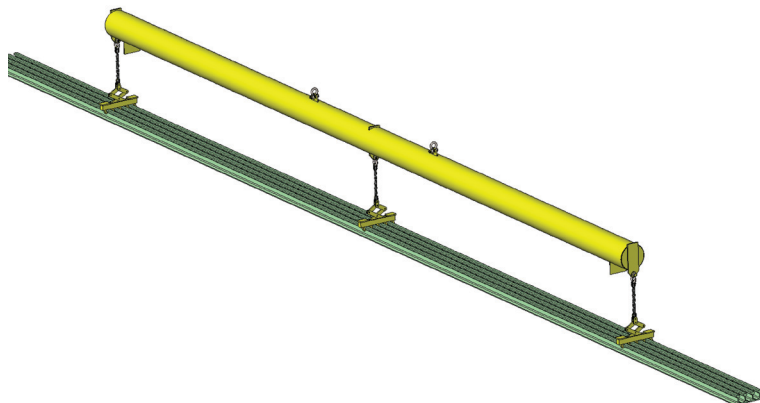


# Quadro Lifting Solutions

CONCRETE KIBBLE



RAIL LIFTING BEAM



Quadro Design has provided many lifting solutions for clients across all industries.

Our services extend from reverse engineering and certifying existing equipment to solving very unique problems. Our highly experienced team is happy to take on the challenge and provide the best solution complying with all relevant standards.

We can also supply the fabricated, tested and painted equipment so you have the most efficient solution. From offshore to remote minesites, food handling to the concrete industry, Quadro Design can design what you need.

- Spreader Beams
- Lifting Beams
- Concrete Kibbles
- Mill Ball Kibbles
- Boat Lifting & Storage
- Rail Handling Equipment
- Lifting Tongs
- Forklift Jibs & Cages
- Transport Cradles
- Safety Cages
- Vehicle Stands



BOAT TROLLEY

For all enquiries

P +61 8 9358 4200  
E [quadro@quadro-design.com](mailto:quadro@quadro-design.com)

**Quadro Design Pty Ltd**  
Unit 3/2-10 Kewdale Road,  
Welshpool WA 6106

[www.quadro-design.com](http://www.quadro-design.com)